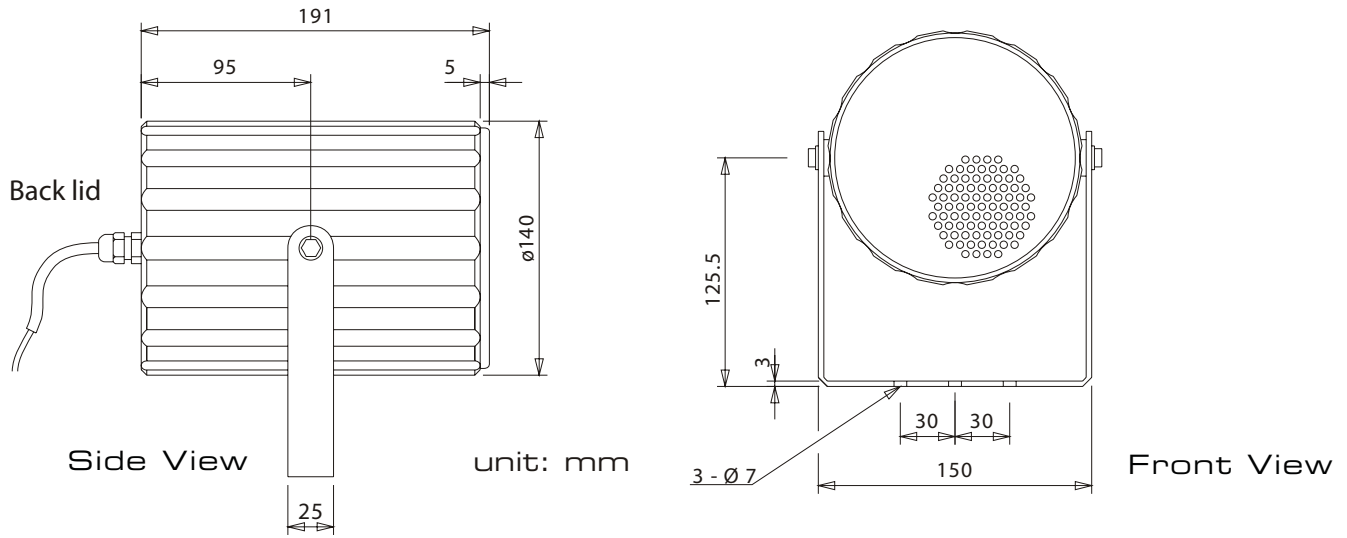


# METAL SOUND PROJECTORS

- CELL 10/T
- CELL 10/TC



## INSTALLATION INSTRUCTIONS



### ➤ STEP 1

Drill the mounting location holes for the loudspeaker in line with the "U" bracket (2 holes 30 millimetres apart) in the surface where the loudspeaker is going to be located. It is not necessary to use the central mounting hole in the bracket unless the loudspeaker is used with a pole mount clamp.

### ➤ STEP 2

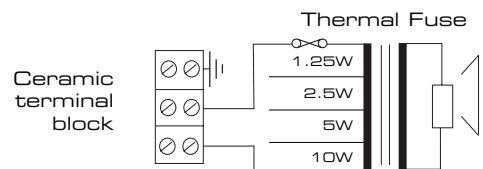
There are two versions of CELL'S, one for general public address and the "C" version for voice alarm to comply with BS5839 part 8.

The connections for the CELL10/T are as follows:

**CELL10/T** Circuit diagram 100V Common



**CELL10/TC** Circuit diagram 100V Common



### Important Note

Please ensure that the input cable is connected to the selected terminal inside the loudspeaker chamber and to no other connection, as the unused transformer tapings must always be isolated from one another.

Example: CELL10/TC use the Black wire (common) and the red wire for 10 watt tapping.

Use the Black wire (common) and the Blue for 5 watt, etc.

### ➤ STEP 3

Secure the cable gland tightly, ensuring that all the rubber washers are in place for the fixing screws. You will observe that around the inner section of the chamber where the back lid was removed is a large rubber washer, please make sure that this is in-place when replacing the lid.

### ➤ STEP 4

Before connecting 100 volt line to the units, it is advisable to check the impedance of the circuit.



## Penton UK Ltd

Unit 2 Teville Industrials | Dominion Way | Worthing | West Sussex | BN14 8NW  
T: +44 (0)1903 215315 | F: +44(0)1903 215415 | E: sales@pentonuk.co.uk

[www.pentonuk.co.uk](http://www.pentonuk.co.uk)

NOVEMBER 2011



RoHS

