

VANDALPROOF METAL CABINET LOUDSPEAKERS

▶ SENTRY6RT/EN ▶ SENTRY6RT/ENC



EN54-24

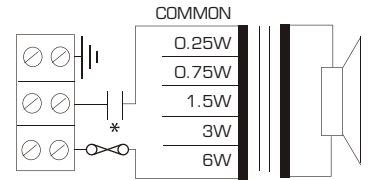
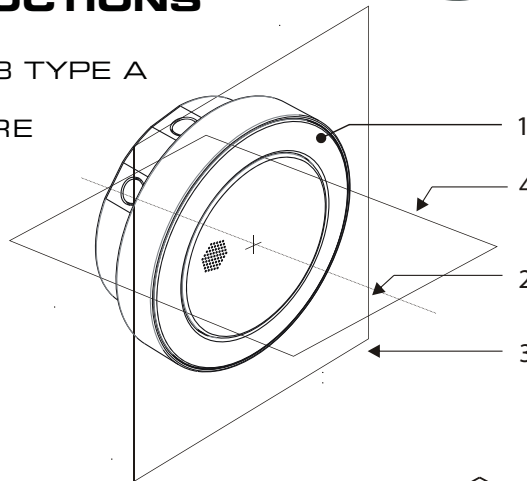


INSTALLATION INSTRUCTIONS

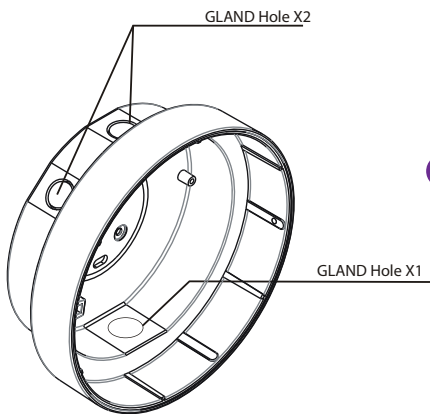
EN54-24:2008

Certificate No: 0359-CPD-0163 TYPE A

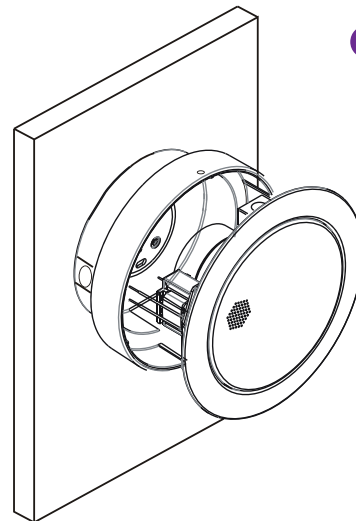
1. LOUDSPEAKER ENCLOSURE
2. REFERENCE AXIS
3. REFERENCE PLANE
4. HORIZONTAL PLANE



- ▶ SENTRY6RT/EN
 - ▶ SENTRY6RT/ENC
- * with capacitor

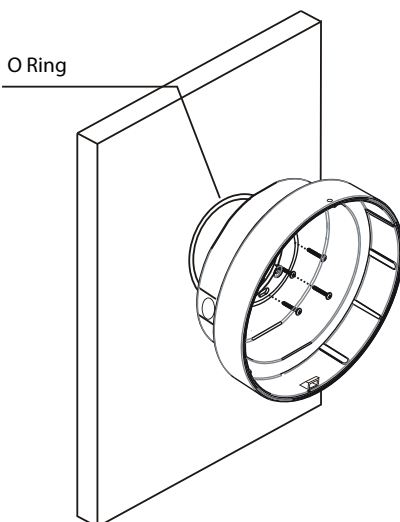


1. Decide on the back box orientation. Normally the back box is installed with the 2 x 20mm knockouts facing upwards. However the back box can be installed in any orientation as well as horizontally on a ceiling if required.



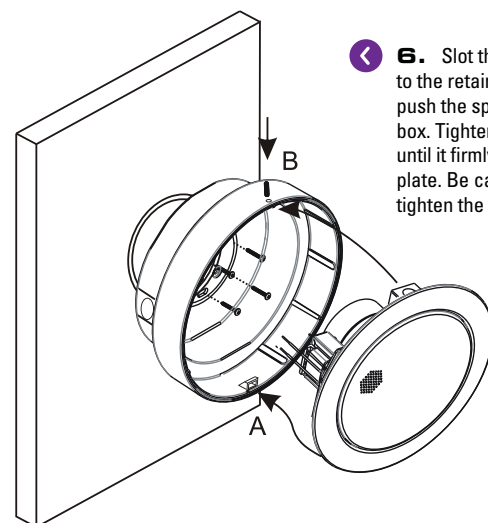
4. Once the back box has been fixed securely to the surface the installation cable can be fitted as required. The cable can then be terminated into the terminal block fitted to the back box. The terminals are suitable to take "loop in" "loop out" connections up to 2.5mm per core.

5. Take the speaker plate and connect the 3 pre-installed wires from the terminal block on the back box to the spade terminals provided on the speaker transformer.



2. The back box has the option of glanding cable directly into any of the 3 x 20mm knockouts or through the rear of the cabinet.

3. Secure the back box to a flat surface using the fixing holes provided. (Fixings are not included). Do not forget to fit the rubber "O" ring between the wall and back box before fixing to the wall. This will ensure that the screw fixings and any rear cable entry will be sealed from water ingress.



6. Slot the speaker plate on to the retaining lug 'A' and then push the speaker into the back box. Tighten the grub screw 'B' until it firmly holds the speaker plate. Be careful not to over tighten the grub screw.



Penton UK Ltd

Unit 2 Teville Industrials | Dominion Way | Worthing | West Sussex | BN14 8NW
T: +44 (0)1903 215315 | F: +44(0)1903 215415 | E: sales@pentonuk.co.uk

www.pentonuk.co.uk

OCTOBER 2012



RoHS

