

ROUND METAL CEILING LOUSPEAKERS

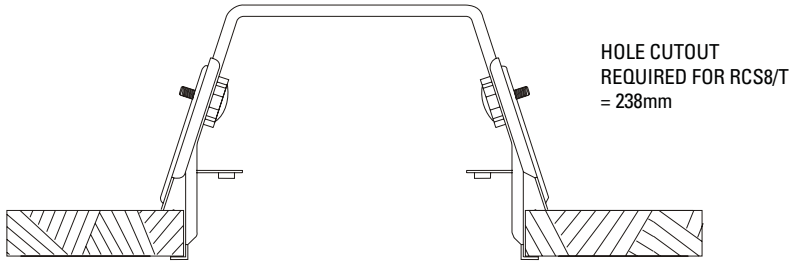
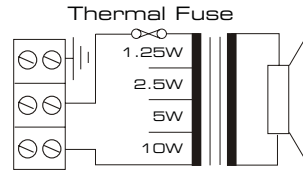
RCS8/T
RCS8/FTS



INSTALLATION INSTRUCTIONS

RCS8/FTS

Circuit diagram 100V Common



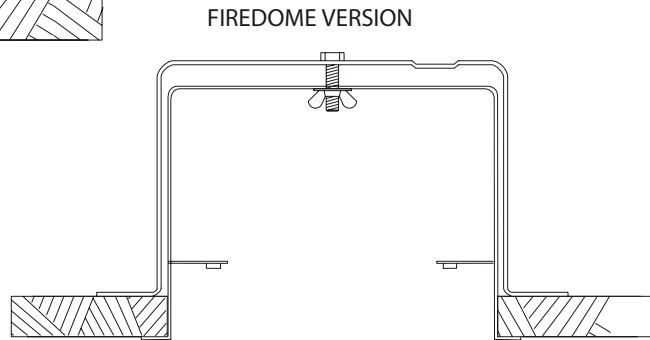
HOLE CUTOUT
REQUIRED FOR RCS8/T
= 238mm

STEP 1

Place the mounting bracket inside the ceiling aperture and secure it with the two black knobs

STEP 2

Place the mounting bracket inside the ceiling aperture and secure it with the fixing bracket



FIREDOME VERSION

HOLE CUTOUT REQUIRED FOR RCS8/FTS = 246mm

MOUNTING LOUSPEAKER

STEP 3

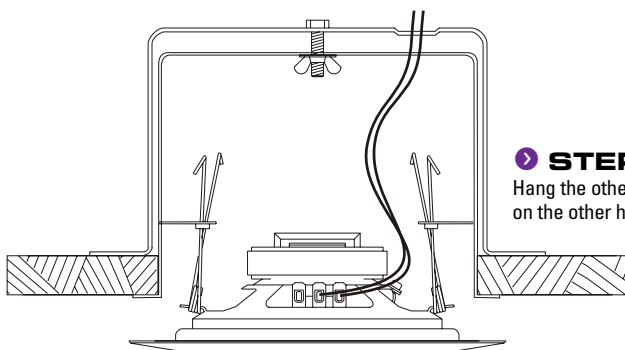
Hang one of the speaker suspension springs on the hook of the fire dome or mounting bracket

Note: the angled part of the mounting spring must point towards the centre of the speaker

STEP 4

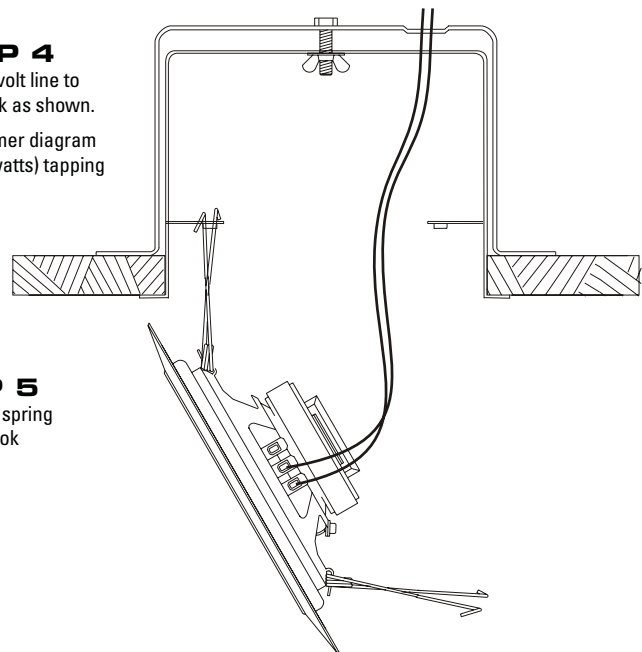
Connect 100 volt line to terminal block as shown.

See transformer diagram for volume (watts) tapping



STEP 5

Hang the other spring on the other hook



STEP 6

Push spring towards the hole



Penton UK Ltd

Unit 2 Teville Industrials | Dominion Way | Worthing | West Sussex | BN14 8NW
T: +44 (0)1903 215315 | F: +44(0)1903 215415 | E: sales@pentonuk.co.uk

www.pentonuk.co.uk

NOVEMBER 2011



RoHS

