

ROUND METAL CEILING LOUDSPEAKERS

- **RCS8FTCX/EN**
- **RCS8FTCX/ENC**



EN54-24

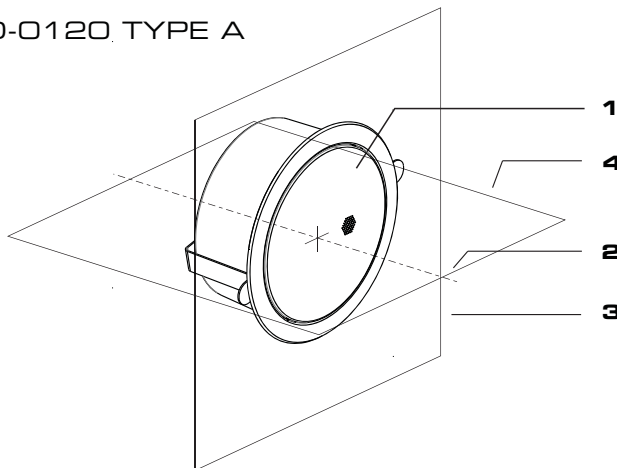


INSTALLATION INSTRUCTIONS

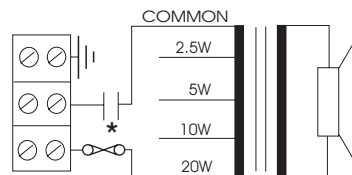
EN54-24:2008

Certificate No: 0359-CPD-0120, TYPE A

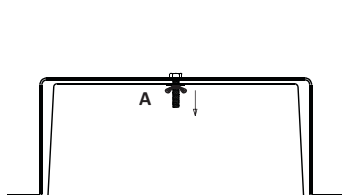
1. LOUDSPEAKER ENCLOSURE
2. REFERENCE AXIS
3. REFERENCE PLANE
4. HORIZONTAL PLANE



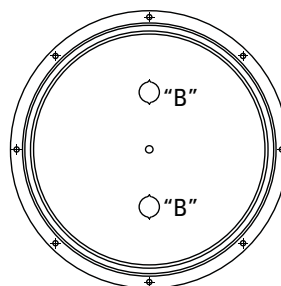
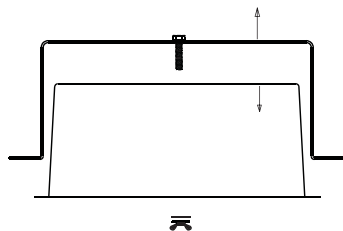
Circuit Diagram



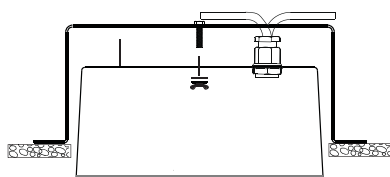
- **RCS8FTCX/EN**
- **RCS8FTCX/ENC**
- * with capacitor



- **1.** Remove wingnut and washer and separate the fixing bar and fire dome.

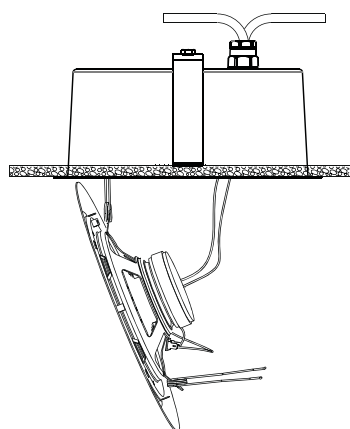


- **2.** Gland the installation cable through the 20mm gland entry(s) "B"



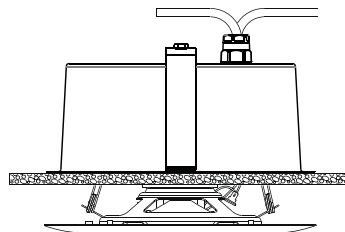
FITTING THE DOME INTO A CEILING

- **3.** Cut a 246mm hole paying attention to ensure that the cut-out is accurately made. If not the speaker may not fit correctly and stop the speaker from sitting flush to the surface. Place the fixing bar into the voided area and insert the fire dome into the pre-cut hole. Locate the retaining bolt through the centre hole in the fire dome, fit the washer and wingnut. Tighten the wingnut to secure the fire dome into position.



FITTING THE SPEAKER INTO THE FIRE DOME

- **4.** Fitting the speaker into the fire dome. Compress one of the "V" springs and locate into the retaining ear within the fire dome. Terminate the installed cable to the 3 way terminal block located on the speaker.



- **5.** Compress the second "V" spring and locate this into the second retaining ear within the fire dome. Please ensure cables are clear of the "V" springs. Gently push the speaker up into the fire dome and the "V" springs will locate the unit into the fire dome. Please do not push against the perforated grille of the speaker.



Penton UK Ltd

Unit 2 Teville Industrials | Dominion Way | Worthing | West Sussex | BN14 8NW
T: +44 (0)1903 215315 | F: +44(0)1903 215415 | E: sales@pentonuk.co.uk

www.pentonuk.co.uk

OCTOBER 2011



RoHS

