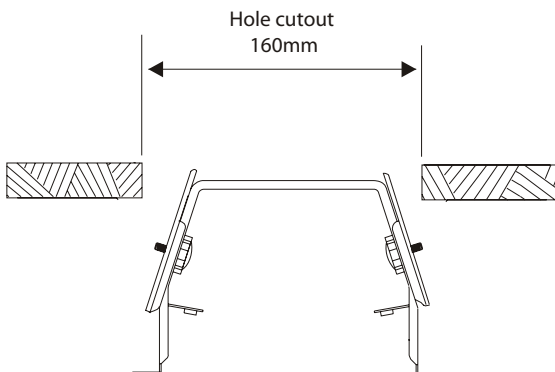


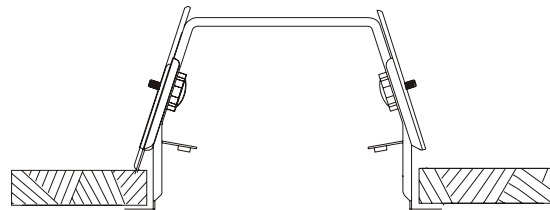
ROUND METAL CEILING LOUDSPEAKERS RCS5/T



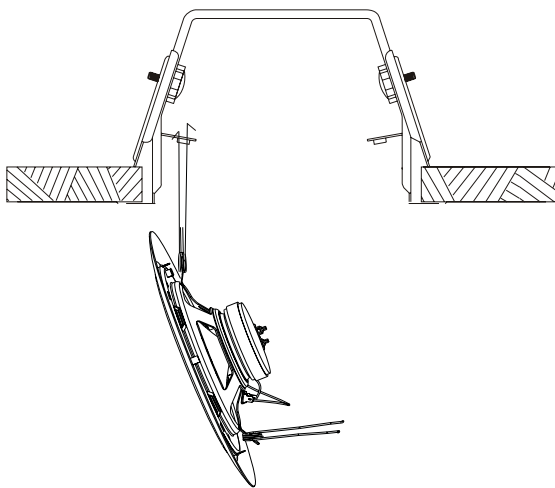
INSTALLATION INSTRUCTIONS



- **STEP 1**
Cut the required hole for the speaker

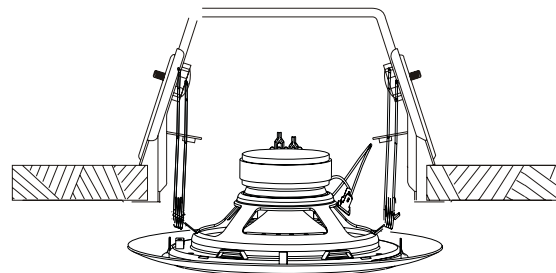


- **STEP 2**
Loosen the retaining sliders and push to the top of the bracket. Once the bracket is through the hole pull down the sliders and tighten the retaining nut clamping the ceiling



FITTING THE SPEAKER

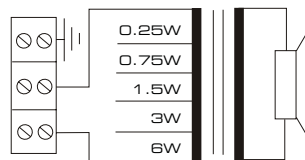
- **STEP 3**
Compress "V" spring and fit into the retaining ear within the bracket.
Connect cable to terminal block and select wattage required.



- **STEP 4**
Fit second "V" clip into second retaining ears and gently push the speaker up into the bracket (do not push the central perforated grille area) the speaker will self locate into the bracket.

RCS5/T

Circuit diagram 100V Common



Penton UK Ltd

Unit 2 Teville Industrials | Dominion Way | Worthing | West Sussex | BN14 8NW
T: +44 (0)1903 215315 | F: +44(0)1903 215415 | E: sales@pentonuk.co.uk

www.pentonuk.co.uk

NOVEMBER 2011



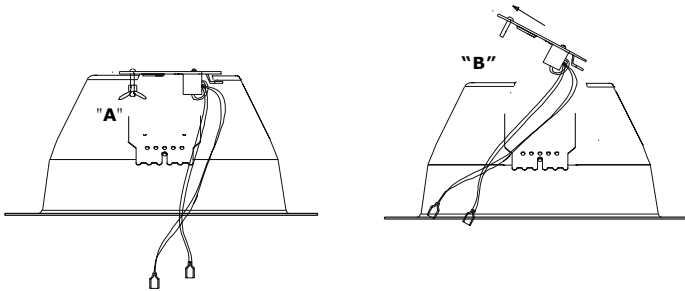
RoHS



ROUND METAL CEILING LOUDSPEAKERS RCS5/FTS

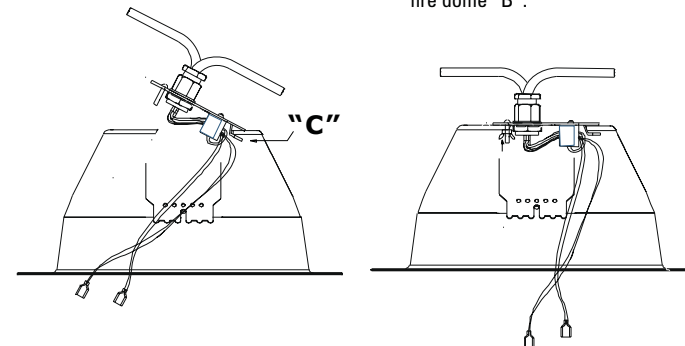
INSTALLATION INSTRUCTIONS

FITTING THE DOME INTO A CEILING



➤ **STEP 1**
Remove the wing nut "A" located on the inside of the fire dome.

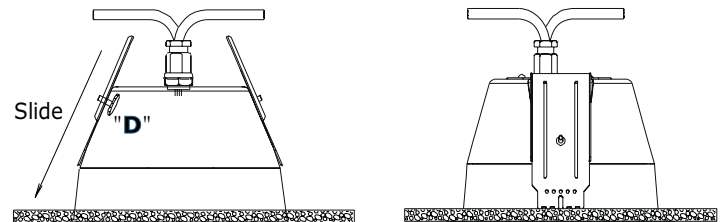
➤ **STEP 2**
Lift the termination plate upwards & away to separate it from the fire dome "B".



➤ **STEP 3**
Gland the installation cable into the termination plate using suitably rated 20mm glands. 2 gland entries are provided for "loop in" "loop out" termination if required.

➤ **STEP 4**
Terminate the installation cable into the terminal block on the underside of the termination plate "C".

➤ **STEP 5**
Fix the termination plate back into the fire dome and secure using the wing nut previously removed. Do not over tighten to avoid damaging the thread.



➤ **STEP 6**
Cut a 164mm diameter hole paying attention to ensure that the cut-out is accurately made. As if it is not, the speaker may not fit correctly into the ceiling preventing the speaker from sitting flush to the surface.

➤ **STEP 7**
Loosen the slider knob "D", push the knob & plate upwards to the top of the fire dome and re-tighten the knob to hold the slider in place. Repeat the same process with the other slider.

➤ **STEP 8**
Push the complete fire dome into the cut-out.

➤ **STEP 9**
Once in place loosen the slider knob "D", push the knob & plate downwards until the slider makes firm contact with the ceiling. Tighten the knob to secure it into place. Repeat the same process with the other slider.

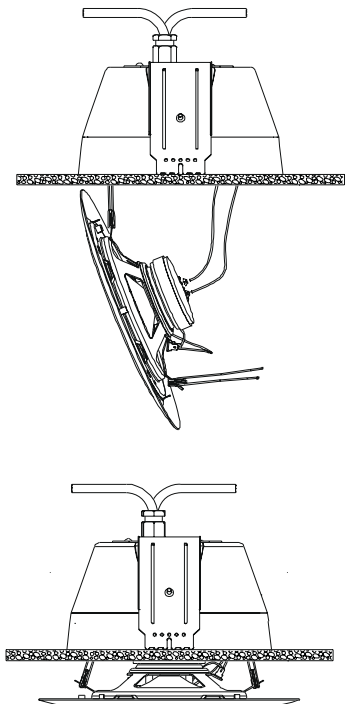
➤ **STEP 10**
The fire dome should be firmly secured into the ceiling.

➤ **STEP 11**
Take the speaker and compress one of the mounting springs & place both ends of the spring into one of the retaining brackets located on the inside wall of the fire dome. Release the spring slowly into the bracket. Once fully released the spring will hold one side of the speaker into the fire dome.

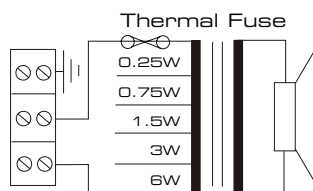
➤ **STEP 12**
With the speaker in this position connect the 3 wires hanging from the termination plate on to the speaker using the spade terminals provided.

➤ **STEP 13**
Fit the second spring mount on the speaker to the remaining bracket on the inside of the fire dome. Finally push the speaker into position.

➤ **STEP 14**
If fitted correctly the speaker should fit flush to the surface.



RCS5/FTS
Circuit diagram
100V Common



Penton UK Ltd

Unit 2 Teville Industrials | Dominion Way | Worthing | West Sussex | BN14 8NW
T: +44 (0)1903 215315 | F: +44(0)1903 215415 | E: sales@pentonuk.co.uk

www.pentonuk.co.uk

NOVEMBER 2011



RoHS

