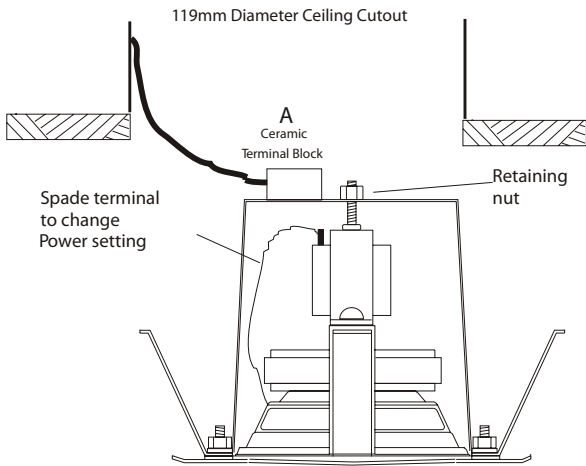


ROUND METAL CEILING LOUSPEAKERS

RCS4/T RCS4/FTS



INSTALLATION INSTRUCTIONS



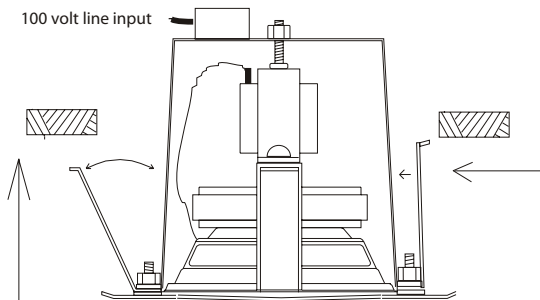
RCS4/FTS Side View

▶ STEP 1

Terminate to the ceramic terminal block as shown on the drawing. "A" The loudspeaker will be factory set at half power 2 watts. If you require higher or lower output remove the retaining nut and fire dome to locate the 100 volt line transformer.

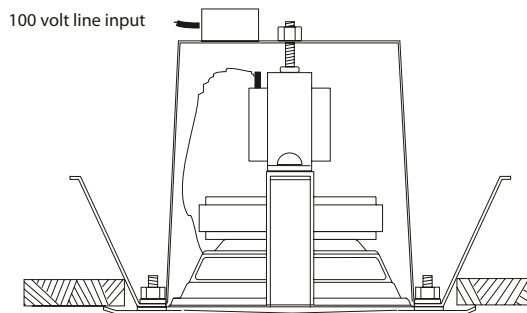
To change the power move spade terminal on the transformer to required wattage.

See circuit diagram below:



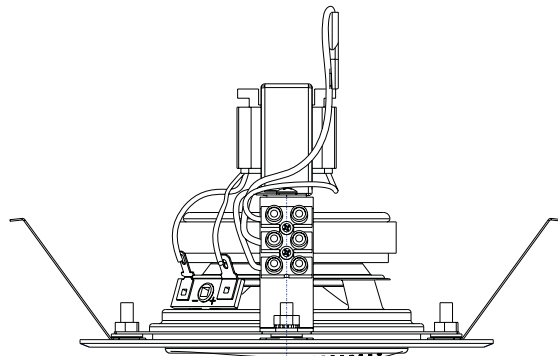
▶ STEP 2

To locate the speaker into the ceiling push the spring arms in towards the fire dome and push the speaker up through the pre-cut hole.



▶ STEP 3

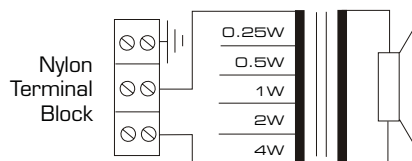
Speaker installed in correct position



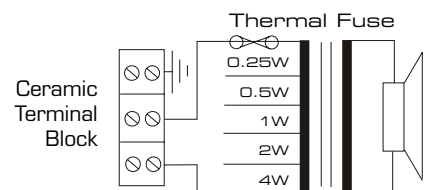
▶ STEP 4

To install the RCS4/T follow the same procedure as described for the RCS4/FTS (loudspeaker with fire dome). Items 1,2,3 Terminate to the nylon terminal block as shown on the drawing above.

RCS4/T
Circuit diagram 100V Common



RCS4/FTS
Circuit diagram 100V Common



Penton UK Ltd

Unit 2 Teville Industrials | Dominion Way | Worthing | West Sussex | BN14 8NW
T: +44 (0)1903 215315 | F: +44(0)1903 215415 | E: sales@pentonuk.co.uk

www.pentonuk.co.uk

NOVEMBER 2011



RoHS

