

ROUND METAL CEILING LOUDSPEAKERS

- **RCS4FT/EN**
- **RCS4FT/ENC**

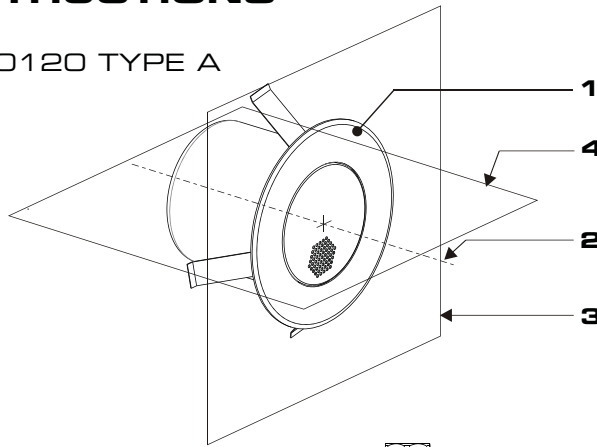
EN54-24

INSTALLATION INSTRUCTIONS

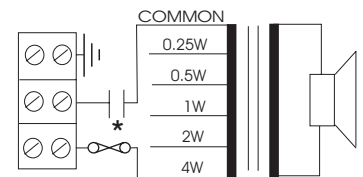
EN54-24:2008

Certificate No: 0359-CPD-0120 TYPE A

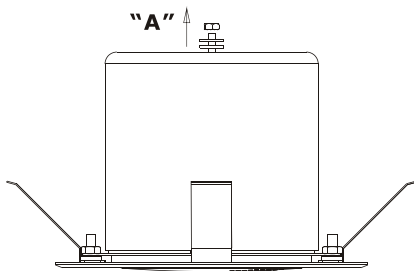
1. LOUDSPEAKER ENCLOSURE
2. REFERENCE AXIS
3. REFERENCE PLANE
4. HORIZONTAL PLANE



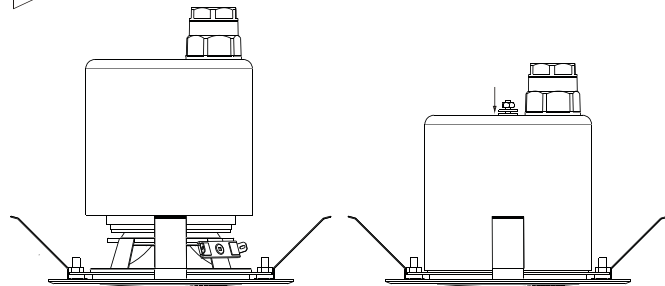
Circuit Diagram

➤ **RCS4FT/EN**

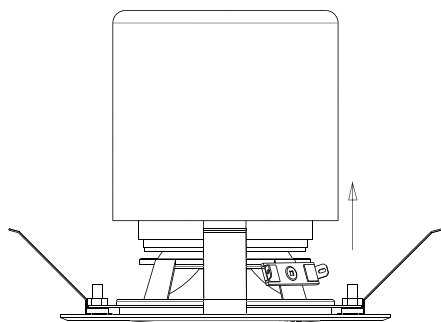
➤ **RCS4FT/ENC**
* with capacitor



- 1. Remove nut, washer & O-ring from "A".

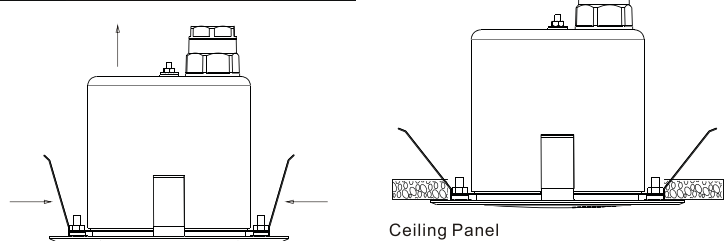


- 4. Re-fit the fire dome to the speaker making sure no wires are trapped between the fire dome and speaker.

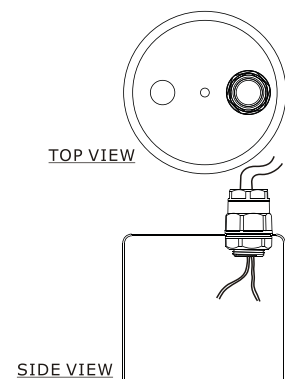


- 2. Remove the fire dome from the speaker.

Ceiling Panel



Ceiling Panel



- 3. Gland the installation cable into the fire dome using a suitably rated 20mm gland. Terminate the installation cable into the 3 way terminal block on the speaker.

➤ 5. FITTING THE SPEAKER ASSEMBLY INTO THE CEILING

Cut a round hole 119mm in diameter paying attention to ensure that the cut-out is accurately made. As if it is not, the speaker may not fit correctly into the ceiling preventing the speaker from sitting flush to the surface.

Each of the 4 spring mounts need to be pressed back towards the fire dome and then the whole unit is pushed into the ceiling cut-out.

Once the springs and the fire dome are located inside the cut-out, the speaker can be pushed into place. The spring tension should help to pull the speaker into its final position.

If fitted correctly the speaker should fit flush to the surface.



Penton UK Ltd

Unit 2 Teville Industrials | Dominion Way | Worthing | West Sussex | BN14 8NW
T: +44 (0)1903 215315 | F: +44(0)1903 215415 | E: sales@pentonuk.co.uk

www.pentonuk.co.uk

OCTOBER 2011



RoHS

