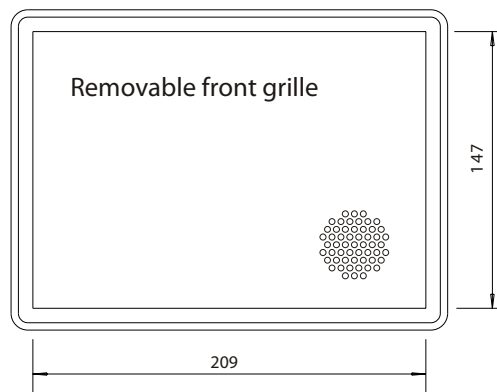


MOULDED CABINET LOUDSPEAKERS

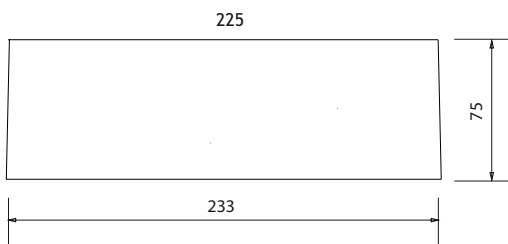
- PWC6/T
- PWC6/TC



INSTALLATION INSTRUCTIONS



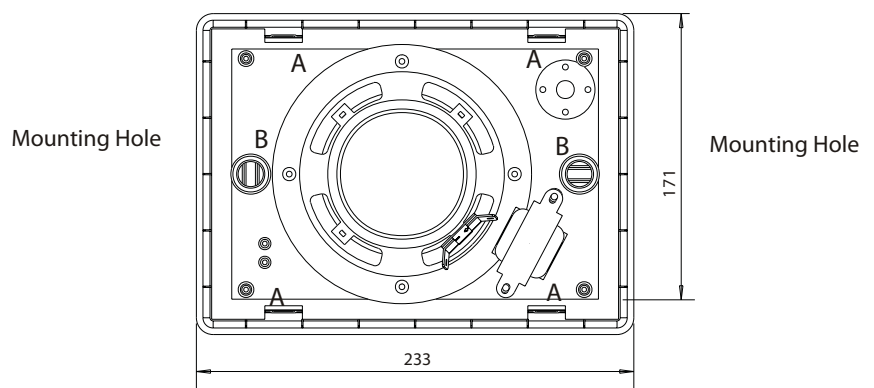
Front View



Top View

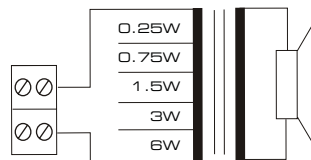
Unit: mm

"A" Use a screwdriver to remove grille

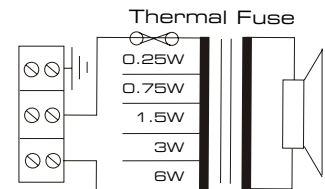


Rear View

PWC6/T
Circuit diagram 100V Common



PWC6/TC
Circuit diagram 100V Common



➤ STEP 1

On selecting the chosen position for the loudspeaker (it can be mounted vertically or horizontally) use a spirit level to ensure that it is level.

➤ STEP 2

Remove the loudspeaker grille with a flat screwdriver ("A") then offer the cabinet to the wall or ceiling and mark through the mounting holes ("B") as shown on the drawing above, with a sharp pencil the position required for drilling.

➤ STEP 3

Drill 2 holes 175mm apart and then raw plug them.

➤ STEP 4

Cabling can now take place, connect the 100 volt line supply to your required volume as shown on the circuit diagram.

➤ STEP 5

With the cable in place the speaker can be screwed through the mounting holes into position. Once in position the loudspeaker grille can be put in place to cover the internal components of the Loudspeaker.



Penton UK Ltd

Unit 2 Teville Industrials | Dominion Way | Worthing | West Sussex | BN14 8NW
T: +44 (0)1903 215315 | F: +44(0)1903 215415 | E: sales@pentonuk.co.uk

www.pentonuk.co.uk

NOVEMBER 2011



RoHS

