

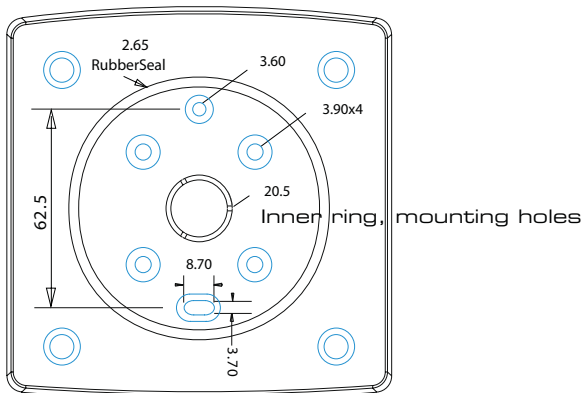
MOULDED CABINET LOUDSPEAKERS

- **PMC4/T**
- **PMC4/TC**

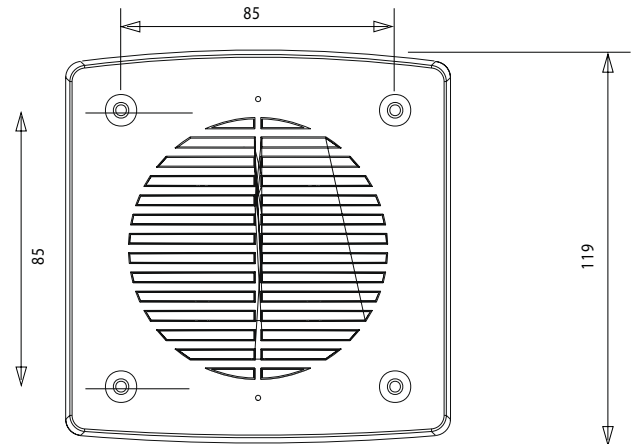


INSTALLATION INSTRUCTIONS

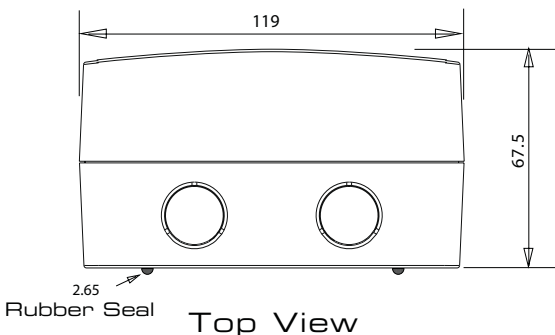
Unit: mm



Rear View



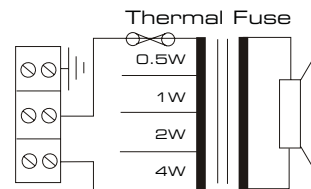
Front View



Top View

PMC4/TC

Circuit diagram 100V Common



➤ STEP 1

On selecting the chosen position for the loudspeaker please ensure that cable gland entries situated in the back box are in the position you require. (Either 2 x 2 at the top with one at either side or one at the top and bottom with two at one side).

➤ STEP 2

Offer the speaker to the wall or ceiling and mark through the mounting holes as shown in the rear view drawing above with a sharp pencil the position required for drilling. It is important that you use the holes situated within the rubber seal.

➤ STEP 3

Drill 2 holes in any chosen position and then fit the back box including rubber seal to the wall/flat surface.

➤ STEP 4

Cabling can now take place, connect the 100 volt line supply to your required volume (via transformer tapings) as shown on the circuit diagram.

➤ STEP 5

With the cable in place the speaker (shown in front view drawing) can be screwed through the mounting holes into position.



Penton UK Ltd

Unit 2 Teville Industrials | Dominion Way | Worthing | West Sussex | BN14 8NW
T: +44 (0)1903 215315 | F: +44(0)1903 215415 | E: sales@pentonuk.co.uk

www.pentonuk.co.uk

NOVEMBER 2011



RoHS

