

# MOULDED CABINET Loudspeakers



▶ **PMC4/T**

▶ **PMC4/TC**

## TECHNICAL SPECIFICATIONS

Rated power, Watts	4
Tappings 100 volt line, Watts	4/2/1/0.5
Transformer Impedance, Ohms, 100V	2.5k/5k/10k/20k
Tappings 70.7 volt line, Watts	1.25/2.5/5/10k
Driver impedance, Ohms	8
Effective frequency range, Hz (BSEN60268-5)	220-11,000
S.P.L. @ 1m, 1 watt, dB, Test Signal Bandwidth 100Hz-10 kHz	91
S.P.L. @ Full power Octave Bandwidth, dB	97
Acoustic Power (dB-PWL@1 watt) 1 k/2kHz, dB	87/91
Dispersion at 1k/2kHz, Degrees	180/110
Directivity Axial Q factor, 1 k/2kHz	2.2/5.1
IP Rating	56
Max/Min Ambient Temp	70°/-25°
Dimensions, front & depth, mm	119 x 119 x 67.5
Net weight, Kgs	0.69
Colour/Finish	White RAL9016
Material	ABS Plastic with UV inhibitors
Mounting	4 x Screws

- ▶ PMC4/TC BS5839 Part 8 voice alarm compliant but not EN54-24 Certified
- ▶ Suitable for external use

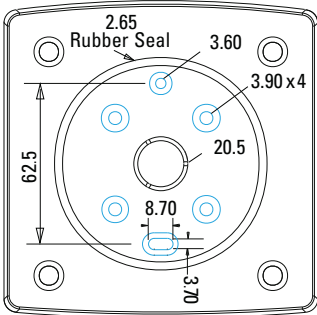
Manufacturer reserves the right to alter specifications without notice

September 2016

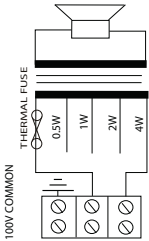
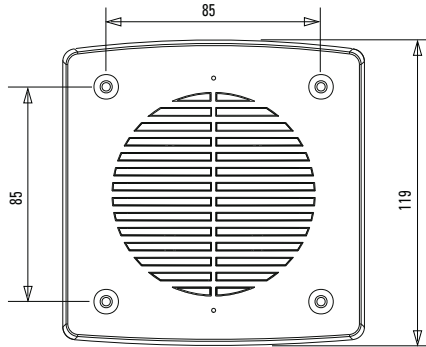
# PMC4/T PMC4/TC

MOULDED CABINET LOUDSPEAKERS

rear view unit: mm

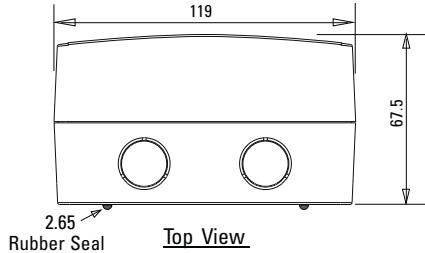


front view unit: mm



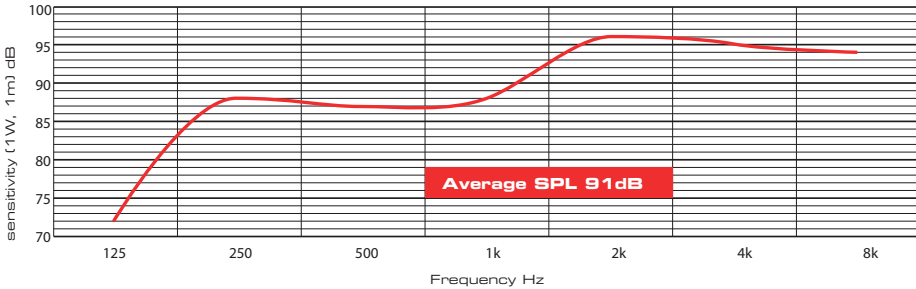
circuit diagram  
**PMC4/TC**

top view unit: mm



2.65 Rubber Seal  
Top View

## speech octave band sensitivity



Effective Frequency Range **PMC4/T PMC4/TC** 220Hz - 11,000Hz



**Penton UK Ltd**

Unit 2 Teville Industrials | Dominion Way | Worthing | West Sussex | BN14 8NW

T: +44 (0)1903 215315 | F: +44(0)1903 215415 | E: SALES@PENTONUK.CO.UK

[www.pentonuk.co.uk](http://www.pentonuk.co.uk)