

MOULDED CABINET LOUDSPEAKERS

PBC6T/EN
PBC6T/ENC

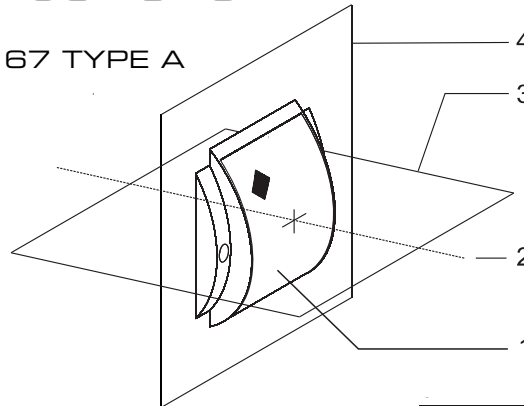


INSTALLATION INSTRUCTIONS

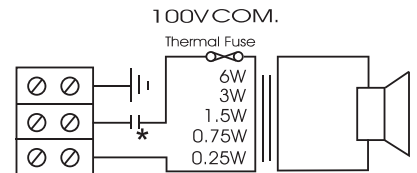
EN54-24:2008

Certificate No: 0359-CPD-0167 TYPE A

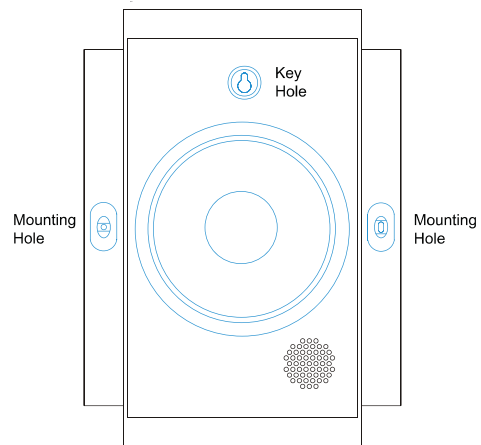
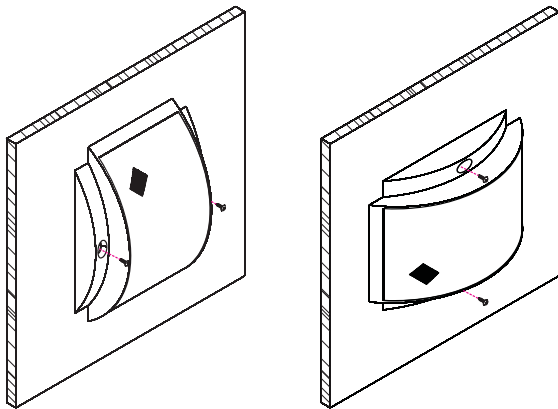
1. LOUDSPEAKER ENCLOSURE
2. REFERENCE AXIS
3. REFERENCE PLANE
4. HORIZONTAL PLANE



Circuit Diagram

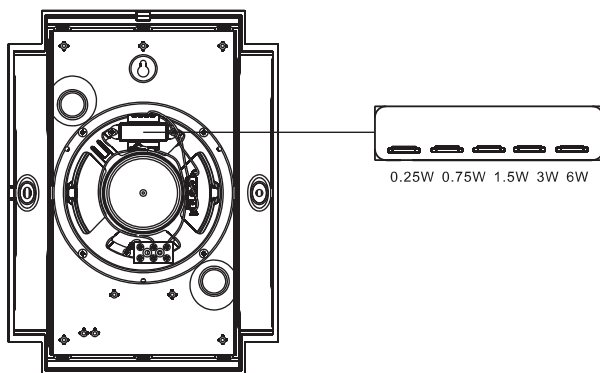


- ▶ **PBC6T/EN**
- ▶ **PBC6T/ENC**
- * with capacitor

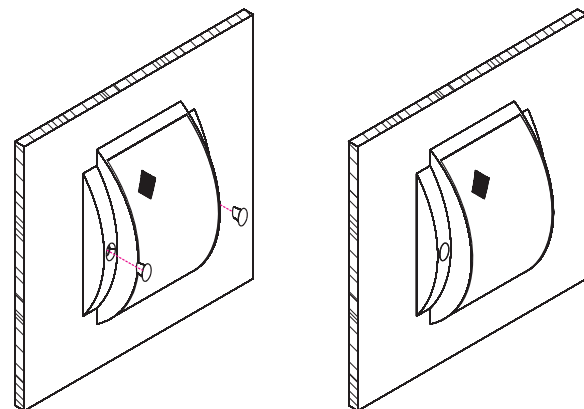


1. Decide on the speaker orientation and place the speaker on a flat surface. It can be installed in any orientation as well as horizontally on a ceiling if required. Mark through the mounting holes in order to position the fixing points which will be 210mm apart. A "Picture Hook" type mounting is also provided which is located at the top section of the speaker. See drawing marked "Key Hole". Prepare the surface to take suitable fixings (Not included).

2. If 20mm cable glands are to be used then the speaker cabinet can be drilled using a suitable drill bit. Make sure you place the cable entry in a location that will not cause the cable to be blocked or restricted by any internal components. If you are not using cable glands the back of the speaker cabinet has 2 x "knock out" tabs in the top and side which when removed will allow the speaker cable to pass between the speaker and mounting surface.



3. Connect the speaker cable into the 3 way terminal block located on the cabinet. Select your required tapping by moving the white lead to your chosen tapping on the transformer. All tappings are marked on top of the transformer.



4. Fix the speaker cabinet to the wall using suitable fixings (not provided).
5. Fit the 2 x removable covers over the fixing holes..



Penton UK Ltd

Unit 2 Teville Industrials | Dominion Way | Worthing | West Sussex | BN14 8NW
T: +44 (0)1903 215315 | F: +44(0)1903 215415 | E: sales@pentonuk.co.uk

www.pentonuk.co.uk

JANUARY 2013



RoHS

