

MUSIC HORN

Loudspeakers



- **MSH30/T**
- **MSH30/TC**

TECHNICAL SPECIFICATIONS

Rated power, Watts	30
Tappings 100 volt line, Watts	30/15/7.5/3.75
Transformer Impedance, Ohms, 100V	333/667/1.33k/2.66k
Tappings 70.7 volt line, Watts	15/7.5/3.75/1.875
Driver impedance, Ohms	8
Effective frequency range, Hz (BSEN60268-5)	70-16,500
S.P.L. @ 1m, 1 watt, dB, Test Signal Bandwidth 100Hz – 10 KHz	99
S.P.L. @ Full power Octave Bandwidth, dB	114
Acoustic Power (dB-PWL@1 Watt) 1k/2k Hz, dB	91/94
Dispersion at 1k/2k Hz, Degrees	70/120 (horizontal), 110/110 (vertical)
Directivity Axial Q factor, 1k/2kHz	8.5/6.5
IP Rating	66
Max/Min Ambient Temp	70°/-25°
Dimensions, front & depth, mm	442 x 260 x 287.5
Net weight, Kgs	5.5
Colour/Finish White	Grey RAL7035
Material	ABS Plastic with UV inhibitors
Mounting	Aluminium U bracket

- MSH30/TC is BS5839 Part 8 Voice Alarm compliant but not EN54-24 Certified
- Suitable for external use

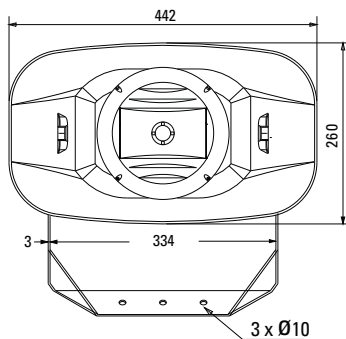
Manufacturer reserves the right to alter specifications without notice

September 2016

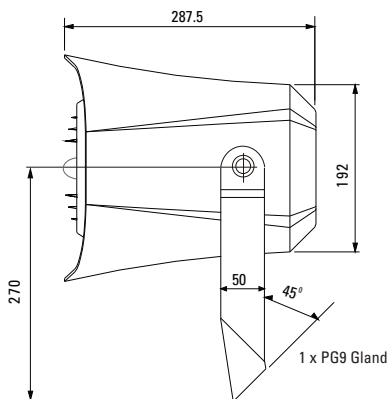
MSH30/T MSH30/TC

MUSIC HORN LOUDSPEAKERS

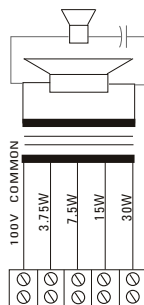
front view
unit: mm



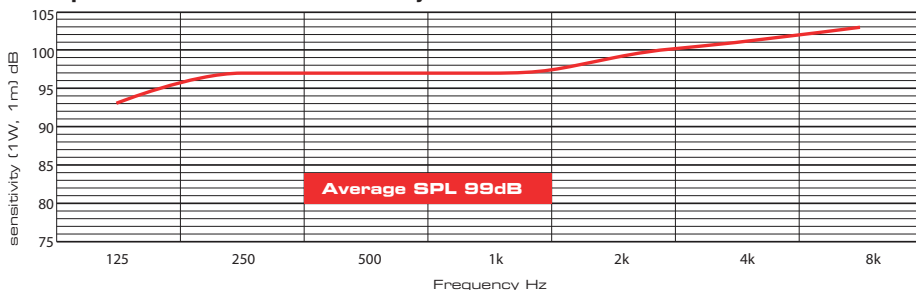
side view
unit: mm



circuit diagram
MSH30/TC



speech octave band sensitivity



Effective Frequency Range ● MSH30/T MSH30/TC 70Hz - 16,500Hz



Penton UK Ltd

Unit 2 Teville Industrials | Dominion Way | Worthing | West Sussex | BN14 8NW

T: +44 (0)1903 215315 | F: +44(0)1903 215415 | E: SALES@PENTONUK.CO.UK

www.pentonuk.co.uk