

METAL COLUMN LOUDSPEAKER

➤ MCS40T/EN ➤ MCS40T/ENC

EN54-24



TECHNICAL SPECIFICATIONS

EN54-24:2008

Certificate No: 0359-CPD-0165 TYPE B

ELECTRICAL

Rated power, Watts	40
Tappings 100 volt line, Watts	40/20/10/5
Transformer Impedance, Ohms 100V	250/500/1k/2k
Tappings 70.7 volt line, Watts	20/10/5/2.5
Driver impedance, Ohms	8
Effective Frequency Range, Hz (BSEN60268-5)	170-18k
S.P.L. @ 4m, 1watt, dB, 1/3 Octave, 1KHz	68
S.P.L. @ 1m, 1watt, dB, Test Signal Bandwidth 100Hz-10kHz	92
S.P.L. @ 4m, Full power, dB, 1/3 Octave 1KHz	85
S.P.L. @ 1m, Full power, Test Signal Bandwidth 100Hz-10kHz	108
Dispersion at 1k/2k Hz, Degrees	180/140 (horizontal) 60/30 (vertical)

ENVIRONMENTAL

IP Rating	55
Max/Min Ambient Temp	70°/-25°C
Relative Humidity	≤95%

MECHANICAL

Dimensions, front dia x D, mm	615 x 98 x 90
Net Weight, Kgs	3.8
Colour (Unless Specified)	RAL9016
Material	Aluminium
Mounting	Steel L bracket, optional swivel bracket PEN1066

- MCS40T/ENC is supplied with capacitor for DC line monitoring
- MCS40T/EN & C are BS5839 Part 8 Compliant
- Suitable for external use

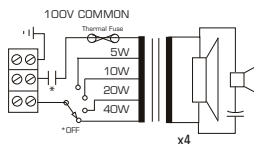
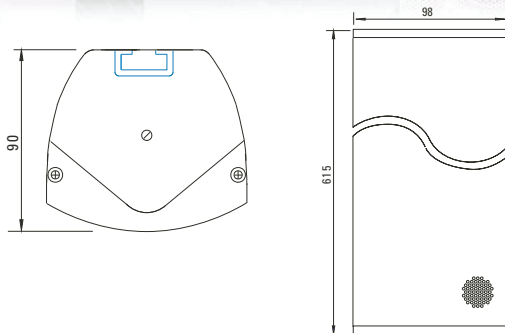
Manufacturer reserves the right to alter specifications without notice

September 2016

MCS40T/EN

MCS40T/ENC

METAL COLUMN LOUDSPEAKERS



MCS40T/EN
MCS40T/ENC
*with capacitor

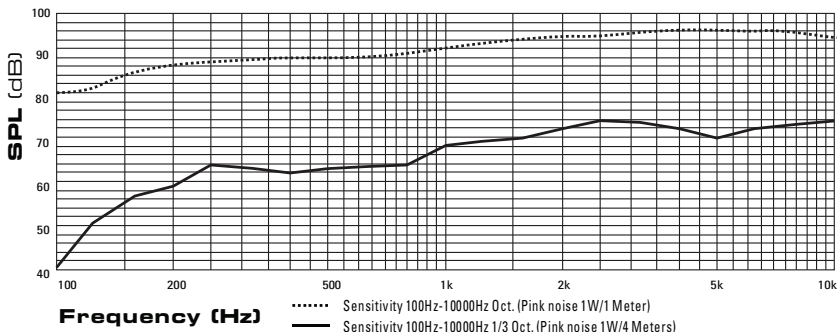
WITH TRANSFORMER: 100V/70V LINE

	WHITE WIRE PLUS TAPPING					BLACK
100V	5W	10W	20W	40W	OFF	COM
70V	2.5W	5W	10W	20W	OFF	COM
IMP (Ω)	2K	1K	500	250	∞	

DISPERSION ANGLES

		HORIZONTAL	VERTICAL
1 OCT.PINK NOISE	500 Hz	360°	90°
1 OCT.PINK NOISE	1K Hz	180°	60°
1 OCT.PINK NOISE	2K Hz	140°	30°
1 OCT.PINK NOISE	4K Hz	90°	40°

FREQUENCY RESPONSE



*Active Equalizer Applied: NO

The MCS40T/EN & MCS40T/ENC have been tested for 100 hours at a maximum power of 40W. Both units did not deviate by more than +/- 3dB. The frequency response and impedance curves remained constant throughout the test period. All results are in full compliance with the requirements of EN54-24



Penton UK Ltd

Unit 2 Teville Industrials | Dominion Way | Worthing | West Sussex | BN14 8NW
T: +44 (0)1903 215315 | F: +44(0)1903 215415 | E: SALES@PENTONUK.CO.UK

www.pentonuk.co.uk

