



PENTON ARE PROUD TO
INTRODUCE THE HIGHLY INTEGRATED
ATEIS PA/VA SYSTEM

- ▶ The IDA8C controller supports up to 48 simultaneous audio channels and is equipped with four remote ports for paging consoles, nine monitored EVAC inputs, eight contact outputs, a fault & EVAC relay output and can backup the monitored 100V amplifiers with up to two spare amplifiers. Each speaker zone consists of separated A and B legs complying to BS 5839 Part 8.
- ▶ The IDA8C is able to monitor and log the status of all the device components in the system.
- ▶ The ATEIS local & global network supports redundant loop cabling, back-up amplifier switching/sharing and back-up redundancy in case of a controller or amplifier failure. These features provide the highest level of redundancy and offers complete real-time monitoring to ensure a secured installation. Ethernet communications can be utilized for software control, configuration and audio distribution.
- ▶ The IDA8 provides a highly integrated PA/VA system which is certified to EN54-16 and UL60065. The system features emergency messaging, paging, audio streaming, priority control, VoIP, 3rd party control, message storage, playback, recording, scheduling and more.
- ▶ The IDA8 system is a fully digital and networked PA/VA system with fully adjustable DSP parameters.
- ▶ The IDA8C controller is suitable for use in any installation size, whether is a Local Net system up to 256 zones or part of a much larger Global Net system of up to 8,192 zones. Each unit can be fitted with 2 additional 4-channel input or output cards to connect external sources. Any function relevant to distribute emergency signals is constantly monitored and fall-back options are available for any fault that may occur. The large amount of available DSP components for signal processing provides the flexibility to achieve the best possible audio reproduction in a wide range of acoustic environments.



IDA8

HIGHLY INTEGRATED NETWORK PA/VA SYSTEM



IDA8 PROCESSORS & SLAVE UNITS

IDA8C

Networkable Controller Matrix Mode



IDA8SAB

Networkable Slave UnitA/B-zoning Matrix Mode



IDA8 AMPLIFIERS AND BATTERY CHARGERS

SPA2060/SPA2120/SPA2240

Security Power Amplifier,
24VDC Backup



SONAES

Charger and Battery Monitor Unit



DPAfour125

Digital Amplifier



DPAfour250

Digital Amplifier



www.pentonuk.co.uk





IDA8

HIGHLY INTEGRATED NETWORK PA/VA SYSTEM



IDA8 PAGING CONSOLES & ACCESSORIES

PSS-AS
Colour Touch
Screen Paging
Console



PPM-AS
Desktop Paging
Console



DNM-485
Noise Sensing
Microphone
(RS485)



DNM-ENET
Noise Sensing
Microphone
(Ethernet)

www.pentonuk.co.uk

BY

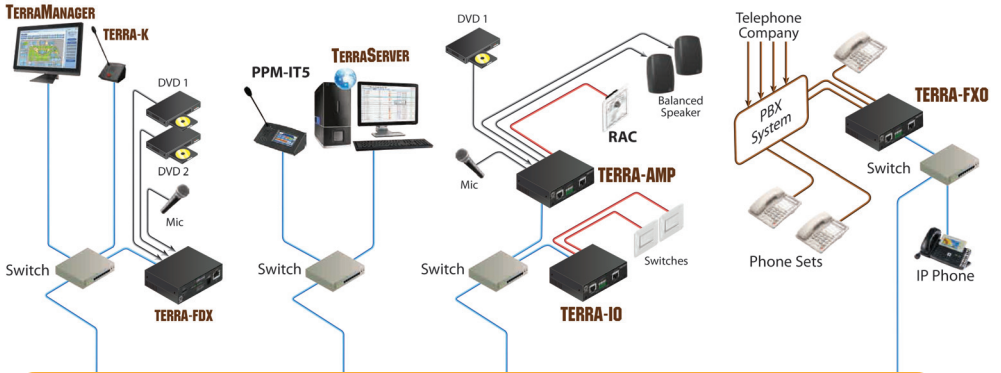
PENTON



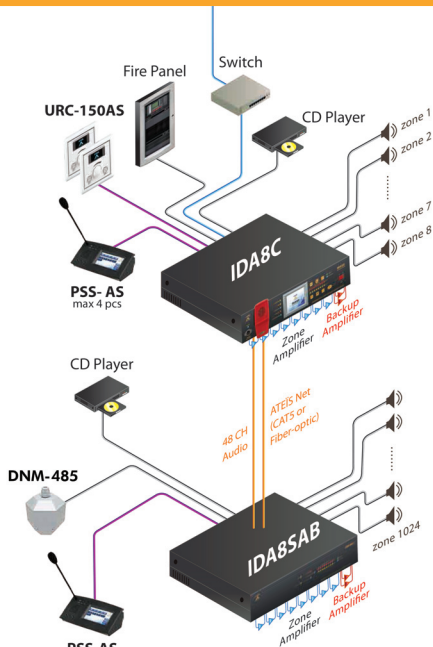
IDA8

HIGHLY INTEGRATED NETWORK PA/VA SYSTEM

IDA8 SYSTEM DIAGRAM



IP Network over Ethernet & Internet (64K bits per call or 128 bits per stream)





IDA8

HIGHLY INTEGRATED NETWORK PA/VA SYSTEM

ATEIS STUDIO

INTEGRATED OPERATION SOFTWARE

- ▶ ATEIS Studio software is a graphic user interface designed for intuitive system setup and programming. The PC-based software allows hardware updating, full system configuration including flexible device topology, DSP adjustments, events, schedulers, presets control and real-time monitoring.

FEATURES

- ▶ Runs on Windows
- ▶ Assignable access levels with rights management
- ▶ All system and unit parameters can be configured
- ▶ Easy navigation
- ▶ Drag & drop features
- ▶ Real-time monitored

DIAGNOSTIC AND LOGGING SOFTWARE

- ▶ Call, fault and general event logging
- ▶ On-line logging function
- ▶ Historical logging
- ▶ Event display priority can be changed
- ▶ Password-protected

FILE TRANSFER SOFTWARE

- ▶ PC-based application
- ▶ Supplied together with the network controller
- ▶ Creation of message sets
- ▶ On-line configuration

GRAPHICAL USER INTERFACE

ATEIS Studio allows complete PA/VA or audio systems incorporating a range of devices to be configured, monitored and controlled centrally from a single user interface. The software enables a comprehensive overview of the system and its virtual connections and also offers control and device configuration for IDA8 controllers and slave units, paging consoles and remotes such as PSS-AS, CD-16AS and URC-150AS devices.

DIAGNOSING

ATEIS Studio monitors, controls, logs and reports a range of events. The whole system configuration preset can be stored and reloaded at the press of a button. Users can tailor design the elements of the graphic user interface or control panels, as well as program the schedulers and events and create different user levels for security and management.

BUILDING

ATEIS Studio provides a complete set of tools and building blocks for real-time control and monitoring. Detailed information such as signal levels, loudspeaker impedance, pre-recorded messages, amplifier conditions and other parameters can be monitored in real-time. A comprehensive library of tools, control and monitoring elements is provided along with the GUI, including items such as volume control faders, metering, high-level EQ, compression, limiting, auto-gain, noise sensing, mixing, shortcut buttons and display elements. Element behaviour can be fully tailored to suit each application. Built-in file transfer software transfers both data and audio files from the PC to the network controller.

ACCESS LEVELS

Additional security can be added to the software with password-protected layers according to EN54-16. Multiple users can be created and assigned, each with a unique password and access to specific layers of the GUI.

DRAG & DROP

To design the system configuration including hardware connection, signal paths for each device, DSP components etc., simply Drag & Drop items / components into the design window, providing easy-to-use and real-time modification.

Penton UK Ltd.

Unit 2, Teville Industrials, Dominion Way, Worthing, West Sussex, BN14 8NW, UK

+44 (0)1903 215315 • sales@pentonuk.co.uk • www.pentonuk.co.uk