

ABS SPHERICAL LOUDSPEAKERS

- ▶ **GB20T/EN**
- ▶ **GB20T/ENC**

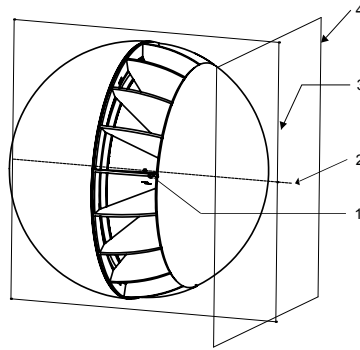


INSTALLATION INSTRUCTIONS

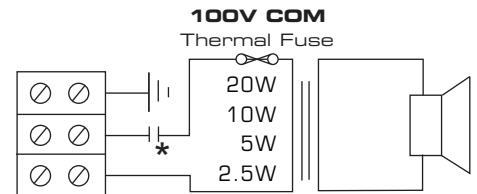
EN54-24:2008

Certificate No: 0359-CPD-00290 TYPE B

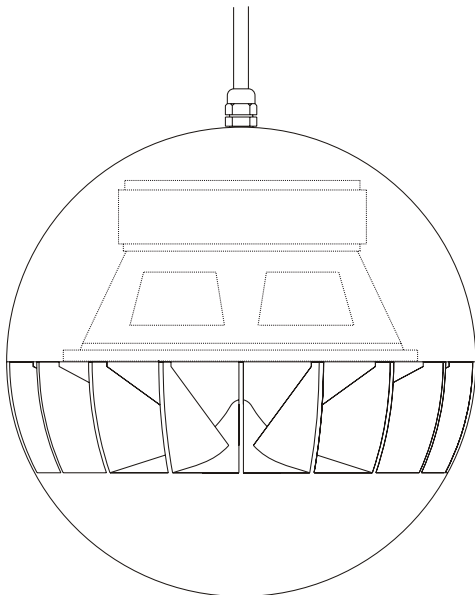
1. LOUDSPEAKER ENCLOSURE
2. REFERENCE AXIS
3. REFERENCE PLANE
4. HORIZONTAL PLANE



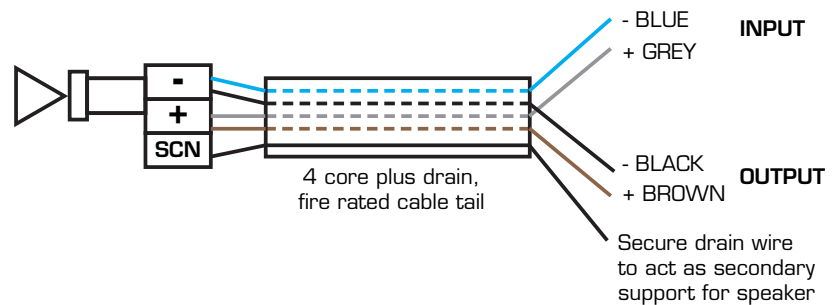
CIRCUIT DIAGRAM



GB20T/EN
GB20T/ENC
 *with capacitor



- ▶ **1** The GB20T/EN & ENC is a pendent speaker and is suspended via its connecting cable. A 4 core plus drain wire, fire rated cable tail is supplied and fitted to the speaker by the manufacture. We use a 4 core cable so that the speaker circuit can be looped in and out of the speaker bringing the line monitoring all the way to the speaker. A 3m cable tail is fitted as standard but we can supply different lengths on request. Because we fit the cable tail at the factory the tapping needs to be specified when ordering otherwise the speaker will be tapped at 10w. **FOR UK SUPPLY ONLY.**
 For all other Countries the GB 20T/EN & ENC will not be supplied with a cable tail.
- ▶ **2** Remove the lower half of the speaker by removing the screws and twisting anti-clockwise then separate the speaker into two halves. The speaker terminations and cable gland will now be exposed for connection of the speaker cable. Please use the above circuit diagram for connection details and tapping selection.
- ▶ **3** Cut the cable tail to the required length. Use a junction box (not supplied) to terminate the cable tail via a suitable cable gland. The cable must be terminated at the junction box using ceramic terminals or terminals rated to a minimum of 600 degrees C. The cable tail has a drain wire which must be secured in the junction box as this acts as a secondary support to the speaker.
- ▶ **4** See recommended connection details below:



Penton UK Ltd

Unit 2 Teville Industrials | Dominion Way | Worthing | West Sussex | BN14 8NW
 T: +44 (0)1903 215315 | F: +44(0)1903 215415 | E: sales@pentonuk.co.uk

www.pentonuk.co.uk

JANUARY 2017



RoHS

