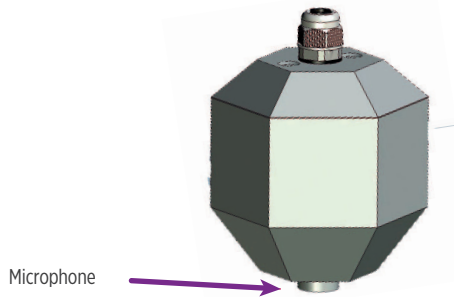


ATEIS®

DNM-485 / DNM-ENET

ETHERNET DIGITAL NOISE SENSING MICROPHONE

With a built-in Electronic Condenser microphone(omni-directional) the DNM enhances the IDA8 Voice Alarm system with the ability to measure ambient background noise. The IDA8 can then adjust the output level of the corresponding speaker groups so that announcements are well above it and are always clearly audible and intelligible.



MAIN PROPERTIES

RS485 or Ethernet interface including POE(power on Ethernet)	
Built in Electronic Condenser microphone (omnidirectional)	
Microphone input (1kHz):	-40dBu
Storage temperature:	-40° to +80°C
Operating temperature:	0° to +55°C

Connectors

Ethernet port:	CAT-5 cable
RS485 port:	5.08mm EURO block(4Pin)
Include 24 VDC power:	18-30VDC
Include RS485 of baud rate:	38400bps @600M
Microphone:	Omnidirectional

Power

Power supply:	20VDC power supply (if no POE available)
POE input:	Conform IEEE 802.3af
EURO block input:	18-30VDC

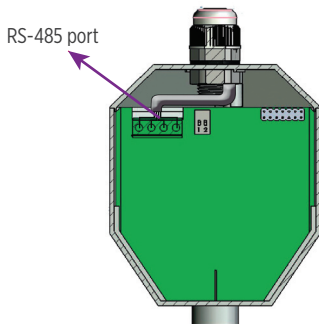
Electrical Characteristic

Sensitivity range:	(60-130dBA), ±5dBA
THD:	<0.2%
Equivalent:	-80dBu 50-16kHz @ 600Ω
THD+N @ dBu:	0.2% 50-16kHz
Frequency response:	50-16kHz
Sampling rate:	48kHz

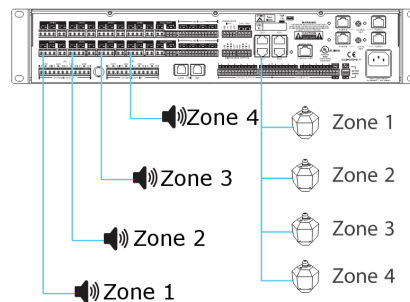
Mechanical Characteristic

Dimensions:	Hexagonal cylinder: 100mm(W) x 130mm(H)
TUV	
UL EMC:	
CE/EMI:	EN 55013/CISPR13
CE/EMS:	EN61000-4-2(ESD)

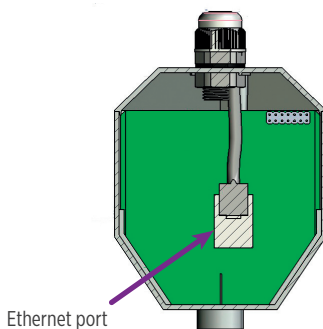
DNM-485



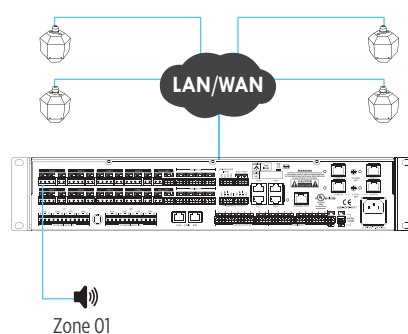
SYSTEM STRUCTURE



DNM-ENET



SYSTEM STRUCTURE



BY