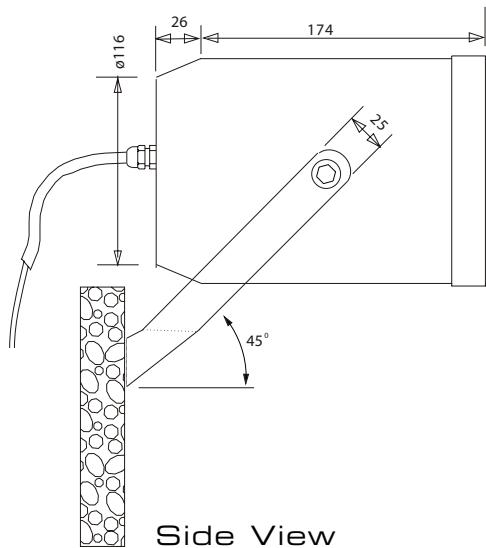


MOULDED SOUND PROJECTORS

- CAD10/T
- CAD10/TC

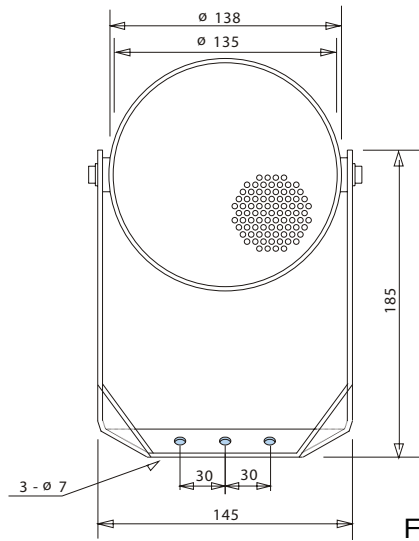


INSTALLATION INSTRUCTIONS



Side View

unit: mm



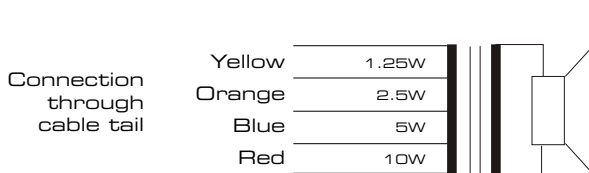
Front View

➤ STEP 1

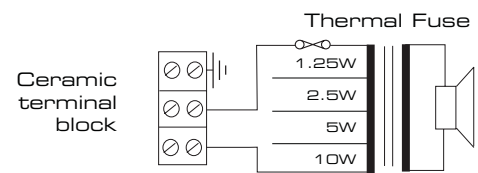
Drill the mounting location holes for the unit in line with the "U" bracket (2 holes 30 millimetres apart) in the surface where the loudspeaker is to be located.

➤ STEP 2

Remove back lid of the unit (cable gland end) and connect input cable to the ceramic terminal block through the cable gland provided.



CAD10/T Circuit diagram 100V Common



CAD10/TC Circuit diagram 100V Common

Important Note

Please ensure that the input cable is connected to the selected terminal inside the loudspeaker chamber and to no other connection, as the unused transformer tapings must always be isolated from one another.

Example: CAD10/TC use the Black wire (common) and the red wire for 10 watt tapping.

Use the Black wire (common) and the Blue for 5 watt, etc.

➤ STEP 3

Secure the cable gland tight, ensuring that all the rubber washers are in place for the fixing screws. You will observe that around the inner section of the chamber where the back lid was removed is a large rubber washer, please make sure that this is in-place when replacing the back lid.

➤ STEP 4

Before putting 100 volt line through the units it is advisable to check the impedance of the circuit.



Penton UK Ltd

Unit 2 Teville Industrials | Dominion Way | Worthing | West Sussex | BN14 8NW
T: +44 (0)1903 215315 | F: +44(0)1903 215415 | E: sales@pentonuk.co.uk

www.pentonuk.co.uk

NOVEMBER 2011



RoHS

